



安全
SAFE



高效
EFFICIENT



稳定
STABLE

东莞市安联五金机械有限公司

DONGGUAN ANLIAN HARDWARE MACHINERY CO., LTD

地址:中国广东省东莞市寮步镇向西工业区进士路56号6栋
Add: No. 56, Jinshi Road, Xiangxi Industrial Zone,
Liaobu Town, Dongguan City, Guangdong, China.

电话: 136-5000-7771



由于标准和材料的变更,文中所述的特征和本资料中的图像仅供参考,一切以实物为准。我公司保留最终解释权。
Due to the standard and the change in the material, the paper described the characteristics of and the information of the images are for reference only, all in kind prevail. Our company reserves the final interpretation.

安联

始终致力于为全球服装及皮具行业
提供高效、稳定、安全的自动化打钮解决方案



安全
SAFE



高效
EFFICIENT



稳定
STABLE

COMPANY

PROFILE 公司简介

专业全自动打钮扣设备制造商 (研发、生产、销售、服务一体化)

Professional Manufacturer Of Fully Automatic Button Attaching Equipment (integrating R&d, Production, Sales, And Service)



安全
SAFE



高效
EFFICIENT



稳定
STABLE

安联智能，始终致力于为全球服装及皮具制造商提供高效、稳定、安全的自动化打钮解决方案。我们以技术创新为驱动，以德国品质为标准，助力客户提升竞争力，共谋发展新篇章。

Anlian Intelligence is committed to providing efficient, stable, and safe automated button attaching solutions for global apparel and leather goods manufacturers. Driven by technological innovation and adhering to German quality standards, we aim to enhance our customers' competitiveness and jointly forge a new chapter of development.



安联——智引钮扣装配革新 深耕自动化打钮装备领域

Anlian – Smartly leading the innovation in button assembly
Deeply cultivating the field of automated button attaching equipment



核心使命 CORE MISSION

以尖端科技，彻底革新传统钮扣装配方式，为全球制造业注入智能动力。

With cutting-edge technology, we revolutionize the traditional button assembly method, injecting intelligent power into the global manufacturing industry.

核心产品 CORE PRODUCTS

全系列全自动打钮机

专为高效率、高品质、高安全性的现代化生产而设计。

The full series of fully automatic button attaching machines are designed specifically for modern production that emphasizes high efficiency, high quality, and high safety.

ADVANTAGES CORE 核心优势



安全守护

Security Protection

先进防护设计，全方位保障操作工人安全，履行企业社会责任。

Advanced protective design, fully ensuring the safety of operating workers and fulfilling corporate social responsibility.



成本优化

Cost optimization

显著降低综合生产成本（人力、损耗、管理），提升企业盈利能力。

Significantly reduce comprehensive production costs (labor, loss, management) and enhance corporate profitability.



效率飞跃

Efficiency Leap

大幅提升生产效率，满足规模化、快节奏生产需求。

Significantly enhance production efficiency to meet the demands of large-scale and fast-paced production.



德国基因

German Genetics

融合国际前沿技术，严格执行德国标准质量管理体系，确保性能稳定可靠。

Integrating international cutting-edge technologies and rigorously implementing the German standard quality management system.



技术领航

Technological Leadership

掌握行业核心科技，设备性能与可靠性稳居全球领先地位。

Mastering core technologies in the industry, with equipment performance and reliability consistently ranking among the world's leading positions.



高性价比

High cost-effectiveness

以卓越品质结合极具竞争力的价格，为客户创造最大价值回报。

Combining excellent quality with highly competitive prices to create maximum value return for customers.



ADVANTAGES

CORE 专注·创新·价值



得客户信赖、始于对技术的敬畏；
顺时代浪潮、成于对品质的坚守。

Capture the ingenuity, unlock infinite possibilities Respond to changes in demand, with one machine connecting the whole

安联智能深耕自动化打钮领域，融合德国工艺与创新基因，为全球服装及皮具企业提供高效、稳定、安全的解决方案。我们不止于设备，更致力于成为您生产力跃升的战略伙伴。

Anlian Intelligence specializes in the field of automated button attaching, integrating German craftsmanship and innovative genes to provide efficient, stable, and secure solutions for global apparel and leather goods enterprises. We are more than just equipment; we are committed to becoming your strategic partner for productivity enhancement.



DS80/PT

MODEL 全自动打钮机

摄像对方向
Camera direction

冲孔打扣
Punching and fastening

精准定位
Precise Positioning

防油功能
Oil Proof Function

防打手功能
Anti-hacker Function

四合扣大小通用
Snap fasteners are universally sized

可加垫片
Gaskets can be added



PURPOSE

用途

适用于各类金属四合扣、气眼、撞钉等钮扣制品装订。

Suitable for binding various metal button products such as snap fasteners, eyelets, and rivets.



CONFIGURATION

配置

序号	配置项目	Number	Configuration project
1	电子安全防打手装置	1	Electronic safety anti-hitting device
2	打孔+打扣双工序	2	Dual process of punching and riveting
3	压力自动调节器	3	Automatic pressure regulator
4	钮扣自动供应	4	Automatic button supply
5	自动计数器	5	Automatic counter
6	可调镭射十字灯	6	Adjustable laser cross light
7	多模式选择	7	Multi-mode selection
8	移动调平脚轮	8	Mobile leveling casters
9	人体工学左脚踏板	9	Ergonomic left pedal
10	速度无级调速	10	Stepless speed regulation

Technical Parameter

技术参数

DS80/QY 全自动打钮机

驱动方式	伺服电机
最大功率	0.75 KW
电压	220V
频率	50/60 Hz
速度	60-80 次/分钟
喉深	30 mm
喉部高度	45 mm
操作高度	880mm
重量	180 kg
尺寸WxDxH	980x680x1230 mm

DS80/QY Fully automatic button attaching machine

Drive mode:	Servo motor
Max. power:	0.75 KW
Voltage:	220V
Frequency:	50/60 Hz
Speed:	60-80 times/min
Throat depth:	30 mm
Throat height:	45 mm
Operation height:	880mm
Weight:	180 kg
Dimension WxD xH:	980x680x1230 mm

DS80/QY

MODEL 全自动打钮机

摄像对方向
Camera direction

冲孔打扣
Punching and fastening

精准定位
Precise Positioning

防油功能
Oil Proof Function

防打手功能
Anti-hacker Function

四合扣大小通用
Snap fasteners are universally sized

可加垫片
Gaskets can be added



PURPOSE

用途

适用于各类金属四合扣、气眼、撞钉等钮扣制品装订。

Suitable for binding various metal button products such as snap fasteners, eyelets, and rivets.



CONFIGURATION

配置

序号	配置项目	Number	Configuration project
1	电子安全防打手装置	1	Electronic safety anti-hitting device
2	打孔+打扣双工序	2	Dual process of punching and riveting
3	压力自动调节器	3	Automatic pressure regulator
4	钮扣自动供应	4	Automatic button supply
5	自动计数器	5	Automatic counter
6	可调镭射十字灯	6	Adjustable laser cross light
7	多模式选择	7	Multi-mode selection
8	移动调平脚轮	8	Mobile leveling casters
9	人体工学左脚踏板	9	Ergonomic left pedal
10	速度无级调速	10	Stepless speed regulation

Technical Parameter

技术参数

DS80/QY 全自动打钮机

驱动方式	伺服电机
最大功率	0.75 KW
电压	220V
频率	50/60 Hz
速度	60-80 次/分钟
喉深	30 mm
喉部高度	45 mm
操作高度	880mm
重量	180 kg
尺寸WxDxH	980x680x1230 mm

DS80/QY Fully automatic button attaching machine

Drive mode:	Servo motor
Max. power:	0.75 KW
Voltage:	220V
Frequency:	50/60 Hz
Speed:	60-80 times/min
Throat depth:	30 mm
Throat height:	45 mm
Operation height:	880mm
Weight:	180 kg
Dimension WxD xH:	980x680x1230 mm

DS90/JS

MODEL 全自动打钮机

精准定位
Precise Positioning

防油功能
Oil Proof Function

防打手功能
Anti-hacker Function

四合扣大小通用
Snap fasteners are universally sized

可加垫片
Gaskets can be added



PURPOSE

用途

适用于各类牛仔扣、工字扣、草帽钉、平撞钉、塑料四合扣、气眼、急钮等钮扣制品装订。

Suitable for assembling various button products such as denim buttons, I-shaped buttons, straw hat nails, flat rivets, plastic snap buttons, eyelets, and snap buttons.



CONFIGURATION

配置

序号	配置项目	Number	Configuration project
1	电子安全防打手装置	1	Electronic safety anti-hitting device
2	打孔+打扣双工序	2	Dual process of punching and riveting
3	压力自动调节器	3	Automatic pressure regulator
4	钮扣自动供应	4	Automatic button supply
5	自动计数器	5	Automatic counter
6	可调镭射十字灯	6	Adjustable laser cross light
7	多模式选择	7	Multi-mode selection
8	移动调平脚轮	8	Mobile leveling casters
9	人体工学左脚踏板	9	Ergonomic left pedal
10	速度无级调速	10	Stepless speed regulation

Technical Parameter

技术参数

DS80/QY 全自动打钮机

驱动方式	伺服电机
最大功率	0.75 KW
电压	220V
频率	50/60 Hz
速度	60-80 次/分钟
喉深	30 mm
喉部高度	45 mm
操作高度	880mm
重量	180 kg
尺寸WxDxH	980x680x1230 mm

DS80/QY Fully automatic button attaching machine

Drive mode:	Servo motor
Max. power:	0.75 KW
Voltage:	220V
Frequency:	50/60 Hz
Speed:	60-80 times/min
Throat depth:	30 mm
Throat height:	45 mm
Operation height:	880mm
Weight:	180 kg
Dimension WxD xH:	980x680x1230 mm

DS90/JSMD

MODEL 全自动打钮机

摄像对方向
Camera direction

冲孔打扣
Punching and fastening

精准定位
Precise Positioning

防油功能
Oil Proof Function

防打手功能
Anti-hacker Function

四合扣大小通用
Snap fasteners are universally sized

可加垫片
Gaskets can be added



PURPOSE

用途

适用于各类牛仔扣、工字扣、草帽钉、平撞钉、塑料四合扣、气眼、急钮等钮扣制品装订。

Suitable for assembling various button products such as denim buttons, I-shaped buttons, straw hat nails, flat rivets, plastic snap buttons, eyelets, and snap buttons.



CONFIGURATION

配置

序号	配置项目	Number	Configuration project
1	电子安全防打手装置	1	Electronic safety anti-hitting device
2	打孔+打扣双工序	2	Dual process of punching and riveting
3	压力自动调节器	3	Automatic pressure regulator
4	钮扣自动供应	4	Automatic button supply
5	自动计数器	5	Automatic counter
6	可调镭射十字灯	6	Adjustable laser cross light
7	多模式选择	7	Multi-mode selection
8	移动调平脚轮	8	Mobile leveling casters
9	人体工学左脚踏板	9	Ergonomic left pedal
10	速度无级调速	10	Stepless speed regulation

Technical Parameter

技术参数

DS80/QY 全自动打钮机

驱动方式	伺服电机
最大功率	0.75 KW
电压	220V
频率	50/60 Hz
速度	60-80 次/分钟
喉深	30 mm
喉部高度	45 mm
操作高度	880mm
重量	180 kg
尺寸WxDxH	980x680x1230 mm

DS80/QY Fully automatic button attaching machine

Drive mode:	Servo motor
Max. power:	0.75 KW
Voltage:	220V
Frequency:	50/60 Hz
Speed:	60-80 times/min
Throat depth:	30 mm
Throat height:	45 mm
Operation height:	880mm
Weight:	180 kg
Dimension WxD xH:	980x680x1230 mm

DS90/JSPD

MODEL 全自动打钮机

摄像对方向
Camera direction

冲孔打扣
Punching and fastening

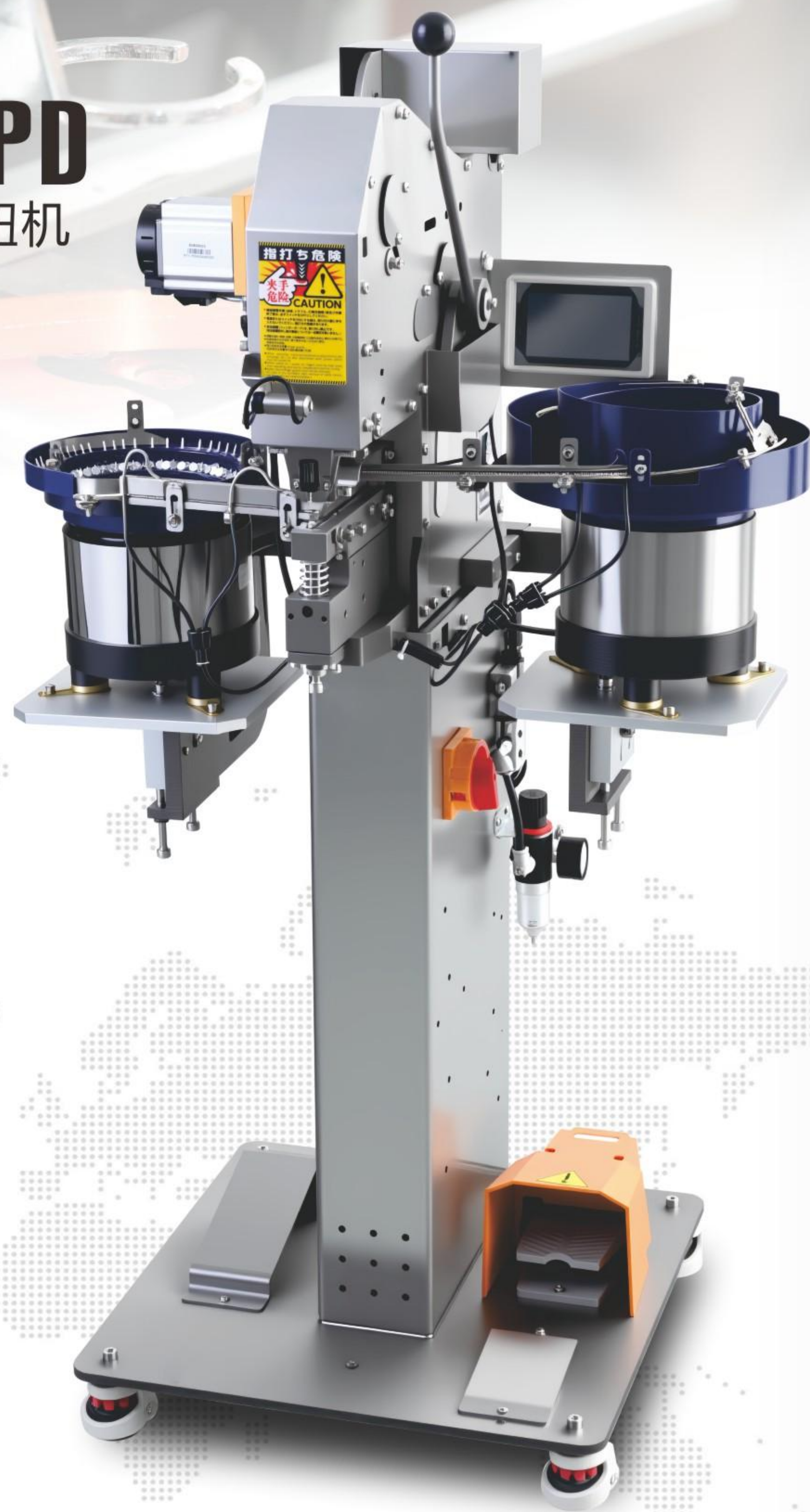
精准定位
Precise Positioning

防油功能
Oil Proof Function

防打手功能
Anti-hacker Function

四合扣大小通用
Snap fasteners are universally sized

可加垫片
Gaskets can be added



PURPOSE

用途

适用于各类牛仔扣、工字扣、草帽钉、平撞钉、塑料四合扣、气眼、急钮等钮扣制品装订。

Suitable for assembling various button products such as denim buttons, I-shaped buttons, straw hat nails, flat rivets, plastic snap buttons, eyelets, and snap buttons.



CONFIGURATION

配置

序号	配置项目	Number	Configuration project
1	电子安全防打手装置	1	Electronic safety anti-hitting device
2	打孔+打扣双工序	2	Dual process of punching and riveting
3	压力自动调节器	3	Automatic pressure regulator
4	钮扣自动供应	4	Automatic button supply
5	自动计数器	5	Automatic counter
6	可调镭射十字灯	6	Adjustable laser cross light
7	多模式选择	7	Multi-mode selection
8	移动调平脚轮	8	Mobile leveling casters
9	人体工学左脚踏板	9	Ergonomic left pedal
10	速度无级调速	10	Stepless speed regulation

Technical Parameter

技术参数

DS80/QY 全自动打钮机

驱动方式	伺服电机
最大功率	0.75 KW
电压	220V
频率	50/60 Hz
速度	60-80 次/分钟
喉深	30 mm
喉部高度	45 mm
操作高度	880mm
重量	180 kg
尺寸WxDxH	980x680x1230 mm

DS80/QY Fully automatic button attaching machine

Drive mode:	Servo motor
Max. power:	0.75 KW
Voltage:	220V
Frequency:	50/60 Hz
Speed:	60-80 times/min
Throat depth:	30 mm
Throat height:	45 mm
Operation height:	880mm
Weight:	180 kg
Dimension WxD xH:	980x680x1230 mm

APPLICATION

AND STRENGTH 全能应用与产品实力

效率之巅
成本锐减30%
 Achieving peak efficiency, with costs slashed by 30%

从轻薄童装到厚重牛仔，从精致皮具到专业工装，得顺设备适配**12大类、200+款钮扣**（五爪扣、四合扣、撞钉、鸡眼等），覆盖99%服装皮具生产场景。

From lightweight children's wear to heavy denim, from exquisite leather goods to professional workwear, Deshun equipment is compatible with 12 major categories and over 200 styles of buttons (including five-claw buttons, four-in-one buttons, rivets, eyelets, etc.), covering 99% of clothing and leather goods production scenarios.

安全之道
工伤归零承诺
 Follow the path of safety, and commit to achieving zero work-related injuries

模块化设计实现快速换型，智能系统自动校准参数。无论小批量定制或大规模量产，皆可高效响应，助客户抢占市场先机。

Modular design facilitates rapid model change, and an intelligent system automatically calibrates parameters. Whether it's small-batch customization or large-scale mass production, we can respond efficiently, helping customers seize market opportunities.

